

Rectifier Indoor system

6 kVA AC + 12,8-24 kW DC

The Rectifier indoor system combines both AC and DC feed into one common unit. Simultaneously it provides AC backup power for 230 V_{AC} loads, and 48 V_{DC} power for DC loads and battery charging.

The total DC output can be configured up to 24 kW DC load where the limitation for AC load is set to max 6 kVA.

Together with our IFC & FPC cabinet platform it's designed for a variety of applications and can be tailored to fit your specific needs, with a protection class of IP20-21.



Rectifier Indoor system

Up to 6 kVA AC & up to 24 kW 48 VDC output

Doc CTEJ0843.DS3 – rev1

MODULAR ARCHITECTURE

RECTIFIER MODULE

The 3 port converter simultaneously provides power for AC and DC loads. During mains outage the Rectifier 48/1200 HE feeds AC loads using energy stored in the battery.

The modular architecture, industry-leading efficiency, compact size, innovative design and comprehensive monitoring and control features provide significant benefits over the current industry standard.



Rectifier Module

APPLICATIONS

TELECOM-MOBILE/WIRELESS

- LTE/4G/WiMAX
- Distributed antenna system
- Broadband
- Radio base stations/cell sites
-

RAILWAY & METRO INFRASTRUCTURE

- Control & protection
- Signaling
- GSM-R
- Safety Systems
-

POWER UTILITIES

- Control & protection
- SCADA system

KEY FEATURES

- 230VAC SINGLE PHASE INPUT
- 230 VAC THREE PHASE (Δ) INPUT
- 400 VAC THREE PHASE (Y) INPUT
- SINGLE PHASE OUTPUT
- 48 VDC INPUT/OUTPUT
- MAX 6 KVA AC OUTPUT
- MAX 24 KW DC OUTPUT
- 1 POLE AC DISTRIBUTION OPTION
- 2 POLE AC DISTRIBUTION OPTION
- -48 VDC DISTRIBUTION OPTION
- BUILT IN TRANSFER TECHNOLOGY
- 150% OVERLOAD CAPABILITY, 15S
- 600% QUICK TRIP CURRENT, 20MS
- HOT PLUGGABLE
- SMARTPACK 2 CONTROLLER
- SMARTPACK S CONTROLLER
- OPERATES IN PARALELL WITH FLATPACK2 RECTIFIERS
- GLOBAL COMPLIANCE
- PATENTED HE TECHNOLOGY

Rectiverter Indoor system

Doc CTEJ0843.DS3 – rev1

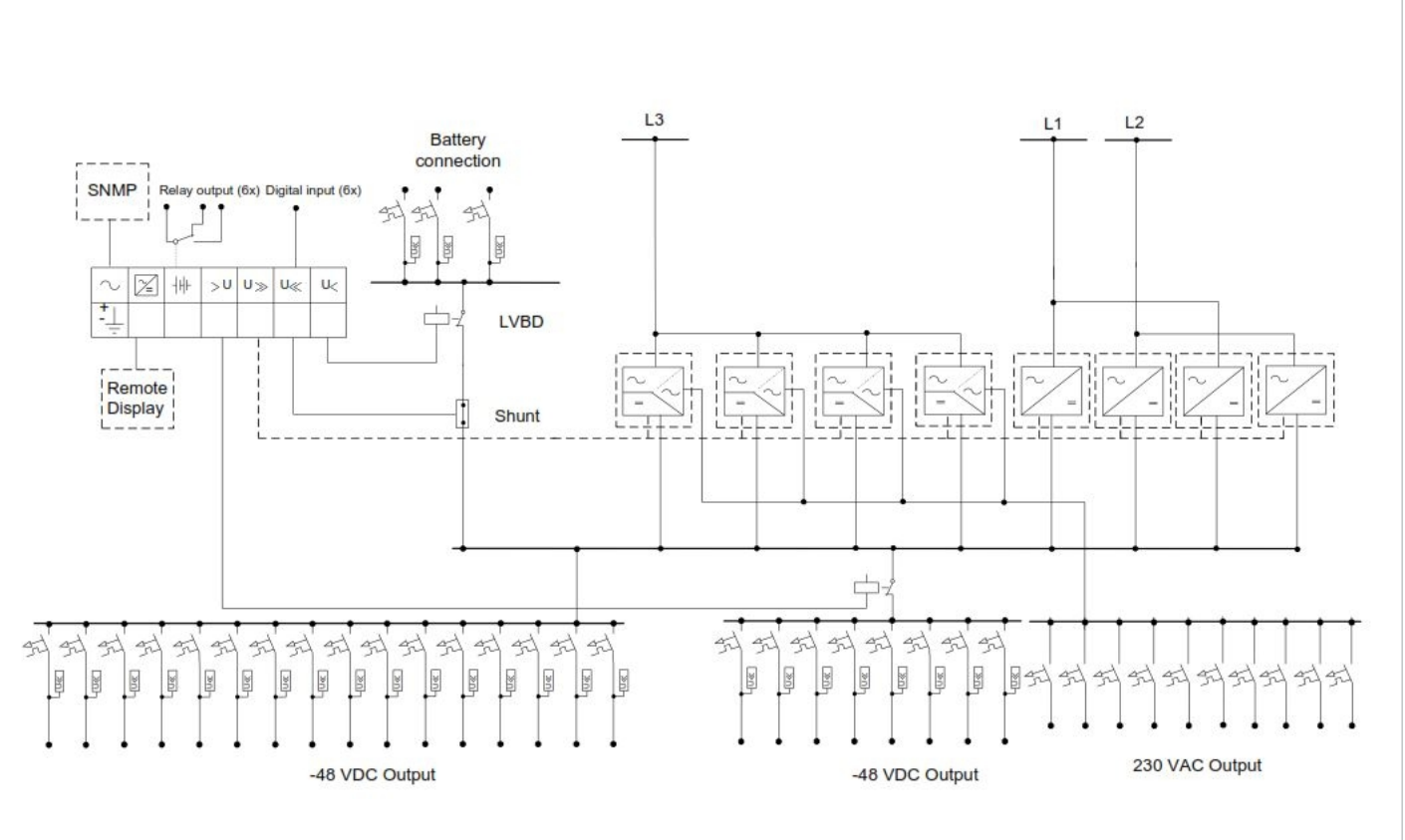
MODEL	6 KVA+12,8 KW DC
Part number	CTEJ0843.4000
INPUT DATA	
Voltage range AC (3 phase Y)	320-475 V
Voltage range DC	40-58 V
Maximum current AC (per phase)	28-48 A
Frequency	47-53 / 57-63 Hz
Power factor	> 0.99
OUTPUT DATA	
Adjustable range AC	200-240 V
Adjustable range DC	43-58 V
Max output power AC	6,0 kVA
Max output power DC	12,8 kW
Power factor	0,8
Frequency	50Hz, 60 Hz
OTHER SPECIFICATIONS	
1 pole AC distribution	10 pc, 6-10 A, C
-48 V _{DC} distribution	24 pc, 10-63 A, C
Battery breaker (plug-in)	3 pc, 100 A, D
LVL D	1 pc, 300 A



Specifications are subject to change without notice

Rectiverter 6 kVA+12,8 kW single phase indoor system

SINGLE LINE 6KVA+12,8 KW DC



Rectiverter Indoor system

Doc CTEJ0843.DS3 – rev1

MODEL	6 KVA+16,8 KW DC
Part number	CTEJ0843.4001
INPUT DATA	
Voltage range AC (3 phase Y)	320-475 V
Voltage range DC	40-58 V
Maximum current AC (per phase)	28-48 A
Frequency	47-53 / 57-63 Hz
Power factor	> 0.99
OUTPUT DATA	
Adjustable range AC	200-240 V
Adjustable range DC	43-58 V
Max output power AC	6,0 kVA
Max output power DC	16,8 kW
Power factor	0,8
Frequency	50Hz, 60 Hz
OTHER SPECIFICATIONS	
1 pole AC distribution	10 pc, 6-10 A, C
-48 V _{DC} distribution	22 pc, 10-63 A, C
Battery breaker (plug-in)	3 pc, 100 A, D
LVL D	1 pc, 300 A

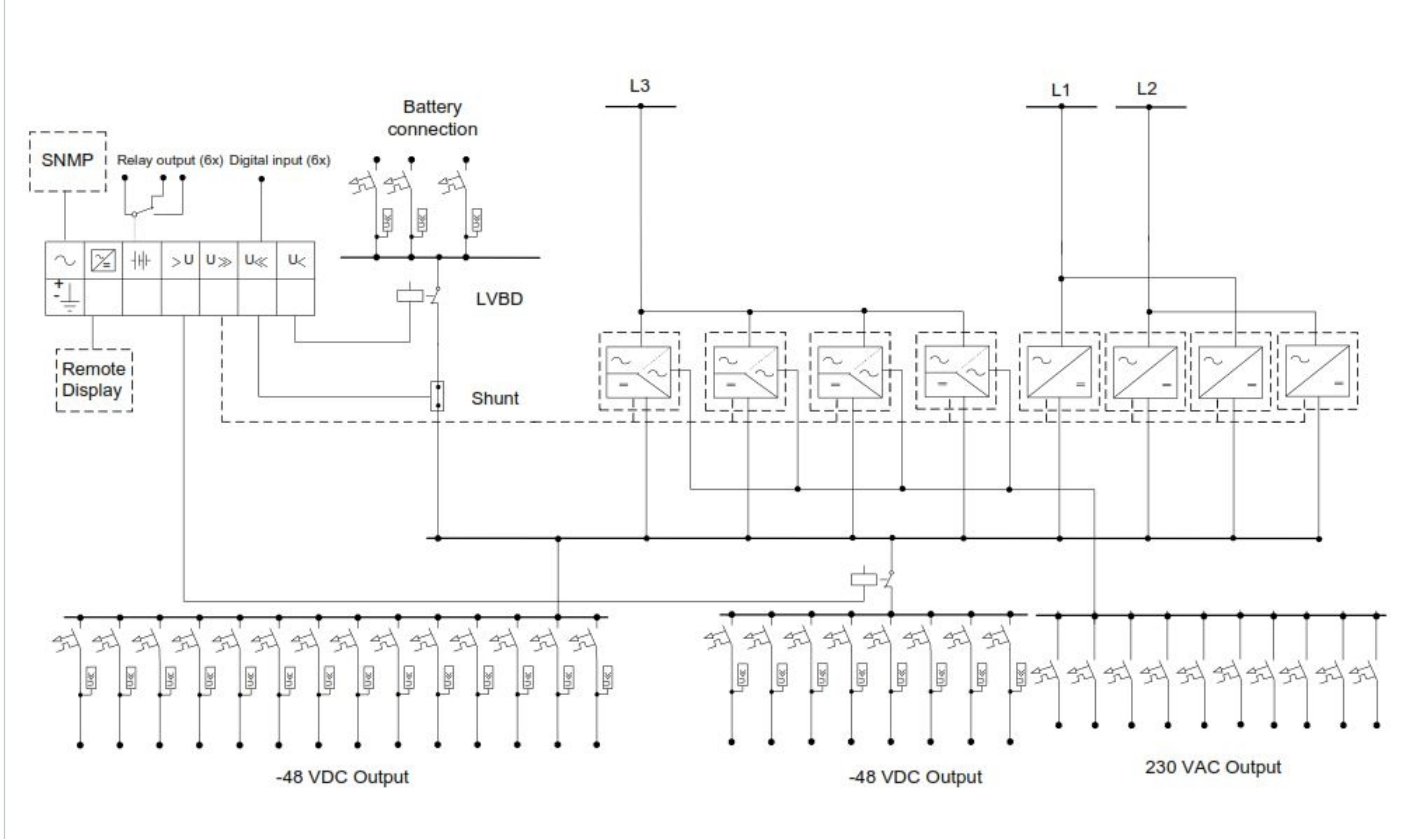
FRONT VIEW 6KVA+16,8 KW DC



Specifications are subject to change without notice

Rectiverter 16,8 kW+6 kVA single phase power core

SINGLE LINE 6KVA+16,8 KW DC



Rectiverter Indoor system

Doc CTEJ0843.DS3 – rev1

FLEXIBLE AC INPUT 6KVA + 16 KW DC

Part number CTE20843R1.4000

INPUT DATA

Voltage range AC	Flexibel AC input
Voltage range DC	40-58 V
Maximum current AC (per phase)	35 A
Frequency	47-53 / 57-63 Hz
Power factor	> 0.99

OUTPUT DATA

Adjustable range AC	200-240 V
Adjustable range DC	43-58 V
Max output power AC	6,0 kVA
Max output power DC	16,0 kW
Power factor	0,8
Frequency	50Hz, 60 Hz

OTHER SPECIFICATIONS

1 pole AC distribution	10 pc, 6-10 A, C
-48 V _{DC} distribution	24 pc, 10-63 A, C
Battery breaker (plug-in)	3 pc, 100 A, D
LVLD	1 pc, 300 A

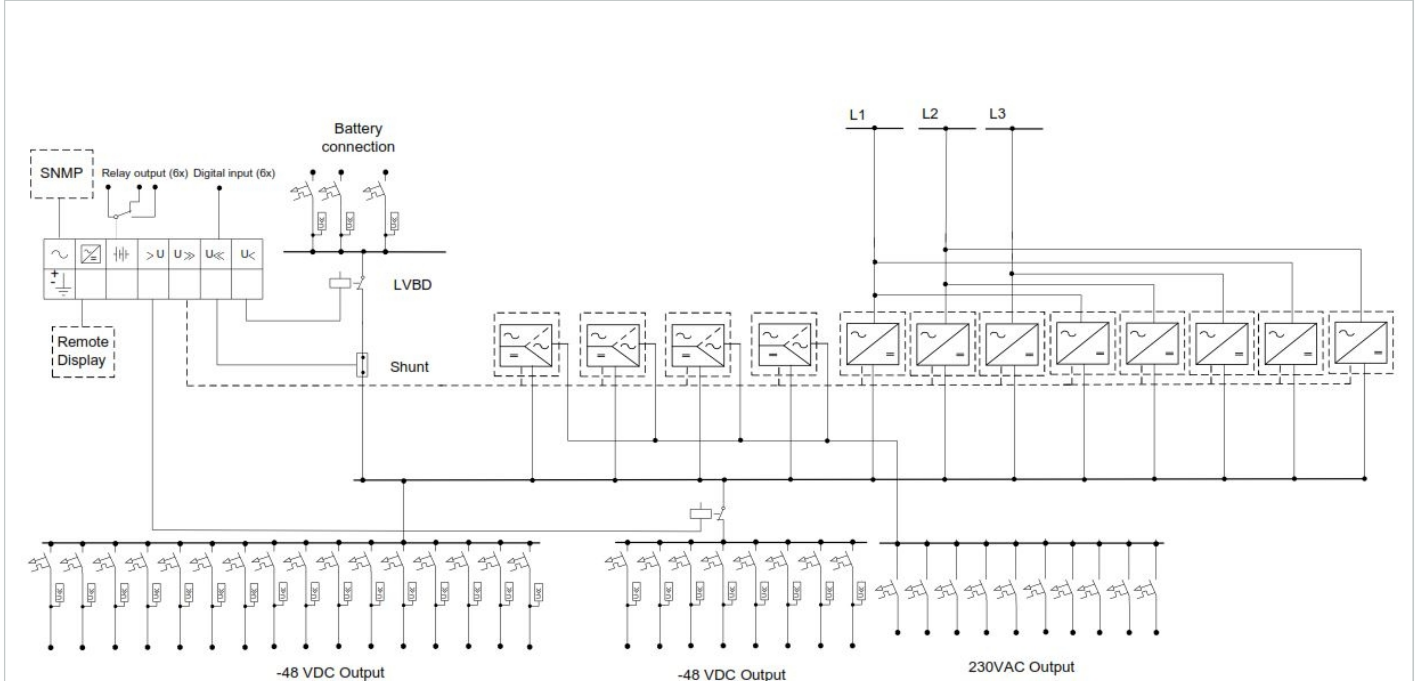
Specifications are subject to change without notice

FRONT VIEW FLEXIBLE AC INPUT 6KVA+16 KW DC



Rectiverter 16,0 kW+6 kVA single phase indoor system

SINGLE LINE FLEXIBLE AC INPUT 6KVA+16 KW DC



Rectiverter Indoor system

Doc CTEJ0843.DS3 – rev1



FLEXIBLE AC INPUT	6KVA + 24 KW DC
Part number	CTE30843R1.4000
INPUT DATA	
Voltage range AC	Flexibel AC input
Voltage range DC	40-58 V
Maximum current AC (per phase)	58 A
Frequency	47-53 / 57-63 Hz
Power factor	> 0.99
OUTPUT DATA	
Adjustable range AC	200-240 V
Adjustable range DC	43-58 V
Max output power AC	6,0 kVA
Max output power DC	24,0 kW
Power factor	0,8
Frequency	50Hz, 60 Hz
OTHER SPECIFICATIONS	
1 pole AC distribution	4 pc, 6-10 A, C
-48 V _{DC} distribution	30 pc, 10-63 A, C
Battery breaker (plug-in)	3 pc, 200 A, D
LVLD	1 pc, 300 A

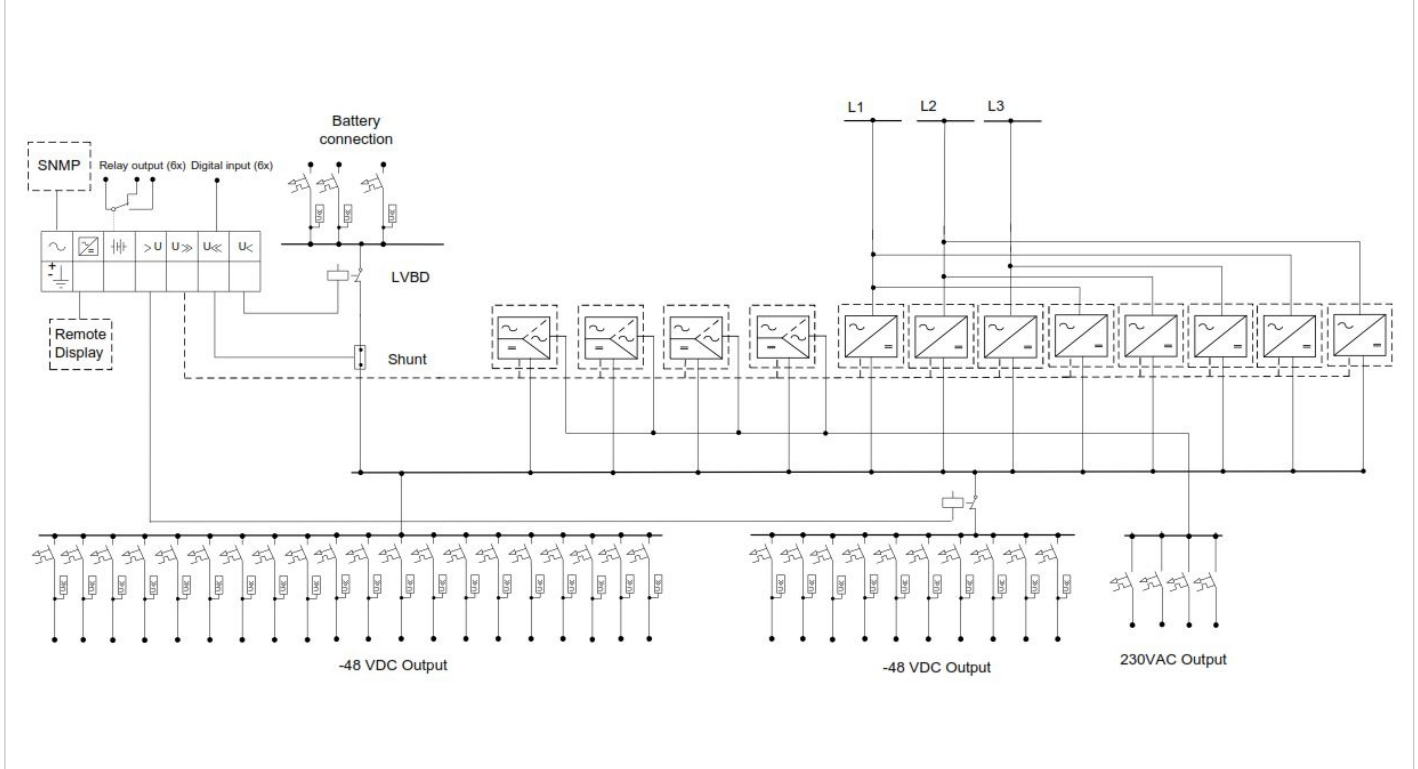
Specifications are subject to change without notice

FRONT VIEW FLEXIBLE AC INPUT 6KVA+24 KW DC



Rectiverter 24,0 kW+6 kVA single phase indoor system

SINGLE LINE FLEXIBLE AC INPUT 6KVA+24 KW DC



Rectiverter Indoor system

Doc CTEJ0843.DS3 – rev1



Models / ordering information	6kVA+12,8 kW DC	6kVA+16,8 kW DC	6kVA+ 16,0 kW DC	6kVA+24,0 kW DC
Part number	CTEJ0843.4000	CTEJ0843.4001	CTE20843R1.4000	CTE30843R1.4000
AC OUTPUT DATA				
Voltage (default) / (adjustable range)	230 V _{AC} / 200 - 240 V _{AC}			
Frequency (default inverter mode)	50 Hz (adaptive)			
Frequency (set-able inverter mode)	50Hz, 60Hz or last synced 50/60Hz (adaptive)			
Power maximum (continuous / overload (<15s))	4800 W (6000 VA) / 8000 VA			
Current maximum (continuous / overload (<15s))	26A _{RMS} / 34,8A _{RMS}			
Current (maximum) Quick trip (20ms)	120A (6 x nominal)			
Hold up (Voltage dips) (before switching to battery)	> 5 ms @ 4800W load			
THD	< 1.5 % at resistive load			
Output features	Fuse in L and N, Hot pluggable			
DC OUTPUT DATA				
Voltage (default) / (adjustable range)	53.5 V _{DC} / 43 - 58 V _{DC}			
Power (maximum @nominal input)	12,8 kW ¹⁾	16,8 kW ¹⁾	16,0 kW ¹⁾	24,0 kW ¹⁾
Current (maximum @V _{OUT} ≤ 48 V _{DC})	267 A ¹⁾	350 A ¹⁾	333 A ¹⁾	500 A ¹⁾
Hold up time, maximum output power	>10ms; V _{OUT} > 41 V _{DC}			
Output features	Short circuit proof, Over voltage Shutdown			
INPUT DATA				
AC Mains Input Voltage (3 phase Y)	400 V _{AC}			
Surge Protection	OVP Class 2			
AC Current/Phase(at nominal output voltage) (depending on type)	28-58 A _{RMS} ³⁾			
Frequency (default: sync range)	47-53 Hz			
Frequency (set-able: sync range)	47-53 Hz, 57-63 Hz or both (adaptive)			
Power Factor / THD	> 0.99 at 50% load or more / < 3.5%			
DC Voltage nominal / extended range (no overload) ²⁾	45 - 58 V _{DC} / 40 - 45 V _{DC}			
DC Current (maximum)	128 A / 180A during overload (15s)			
Input features	Fuse in L and N, Hot pluggable, Varistor, Hot pluggable AC input individual screw terminals 10 mm ² for L1, L2, L3, N & PE Battery breaker (plug-in type), LVBD default			
LOAD DISTRIBUTION				
	6kVA+12,8kW DC	6kVA+16,8kW DC	6kVA+16,0 kW DC	6kVA+24,0 kW DC
LVLD	300 A			
1 pole AC distribution (L connection on MCB)	2*2A, 4*6A, 4*10A C			2*6A, 2*10A C
-48 V _{DC} distribution (priority load)	4*10A,4*16A,4*32A,4*63A	4*10A,2*16A,4*32A,4*63A	4*10A,4*16A,4*32A,4*63A	4*10A,4*16A,6*32A,6*63A
-48 V _{DC} distribution (no priority load)	2*10A, 2*16A, 2*32A, 2*63A			2*10A,2*16A,3*32A,3*63A
Battery breaker	3*100 A, D (plug-in)			3*200 A, D (plug-in)
OTHER SPECIFICATION				
Control and monitoring (see Smartpack2 datasheet)	Smartpack S panel mount			Smartpack 2
Efficiency	>96% (mains mode (AC/AC and AC/DC)), >94% (inverter mode (DC/AC))			
Operating temperature	-40 to +55°C (-40 to +131°F), humidity 5 - 95% RH non-condensing			
Storage temperature	-40 to +85°C (-40 to +185°F), humidity 0 - 99% RH non-condensing			
Dimensions[WxDxH] / Weight	600 x 600x 2000mm (23,7 x 23,7 x 78,8") / 150 kg (551 lbs)			
Protection class	IP 20			
DESIGN STANDARDS				
Electrical safety	EN 60950-1, EN 62040-1 UPS safety			
EMC	ETSI EN 300 386 V.1.6.1, FCC CFR 47 Part 15 EN 61000-6-1 /-2/-3/-4			
Environment	ETSI EN 300 019: 2-1 (Class 1.2), 2-2 (Class 2.3) & 2-3 (Class 3.2) RoHS (2011/65/EU) and WEEE (2002/96/EC) compliant			

1) AC load has priority. Maximum available DC output power and current is dependent on instant AC load and AC input voltage; i.e. maximum 10,9 kW/18,9 kW at full AC power and nominal input for 230V_{AC}.
2) 40 - 45 V_{DC}: reduced performance - no power boost and increased voltage THD on AC output
3) If DC voltage is pulled below 43V the input current may increase above this level

Specifications are subject to change without notice