

Rectiverter 2U, 6kVA Integrated System

The Rectiverter 2U 19" Integrated System can be used as a standalone system with bulk AC & DC outputs in industrial applications where a 230/115 V_{AC} and 220 V_{DC} backup is needed.

The total output power for both AC and DC is limited to a total 8 kW. AC and DC output limits can be set according to the connected load, where the limitation for AC load is set to max 6 kVA and for DC load to max 4,8 kW.

As additional options, the measuring and signaling can be widely extended with the Fleximonitor CAN node.



Rectiverter 2U, 6kVA Integrated System

220 V_{DC} Systems with Smartpack2 Touch & Basic Industrial

DOC. NO: CIOR0402220.DS3, rev1

MODULAR ARCHITECTURE

RECTIVERTER MODULE

The 3 port converter simultaneously provides power for AC and DC loads. During mains outage the Rectiverter feeds AC loads using energy stored in the battery.

The modular architecture, industry-leading efficiency, compact size, innovative design and comprehensive monitoring and control features provide significant benefits over the current industry standard.



Rectiverter Module

APPLICATIONS

POWER UTILITIES

- Low & High voltage switchgear
- Transformer & SUB stations
- Power Generation & Distribution
- Control & protection
- SCADA system

OFFSHORE AND PROCESS INDUSTRY

- Safety and Automation Systems (SAS)

MARINE

- Communication onboard ships

RAILWAY & METRO INFRASTRUCTURE

- Control & protection
- Signaling

TELECOM-MOBILE/WIRELESS

- LTE/4G/WiMAX
- Distributed antenna system
- Broadband

KEY FEATURES

- COMPACT DESIGN AND SIMPLE INSTALLATION
- SINGLE PHASE 230 OR 115 V_{AC} INPUT/OUTPUT
- 220 V_{DC} INPUT/OUTPUT
- HOUSE UP TO 4 RECTIVERTER MODULES
- 8 KW TOTAL AC + DC OUTPUT
- MAX 6 kVA AC OUTPUT
- MAX 4,8 kW DC OUTPUT
- BULK FEED OUTPUTS AC + DC
- BUILT IN TRANSFER TECHNOLOGY
- 150 % OVERLOAD CAPABILITY, 15 s
- 600 % QUICK TRIP CURRENT, 20 ms
- HOT PLUGGABLE
- SMARTPACK2 TOUCH CONTROLLER
- PROGRAMMABLE MULTIPURPOSE INPUTS AND OUTPUTS

Rectifier Integrated 2U 19"

Doc CIOR0402220.DS3 – rev1

MODEL 220 V_{DC}	8 kW / 4 kW
Product family	CIOR0402.1xxx

INPUT DATA

Voltage range AC	185-275 / 95-140 V _{AC}
Voltage range DC	204-290 V _{DC}
Maximum current AC	32,8-46 A
Frequency	47-53 / 57-63 Hz
Power factor	> 0,99

OUTPUT DATA

Adjustable range AC	200-240 / 100-127 V _{AC}
Adjustable range DC	194-290 V _{DC}
Max output power AC	6,0 / 3,0 kVA
Max output power DC	4,8 / 2,4 kW
Power factor	0,8
Frequency	50 Hz, 60 Hz

OTHER SPECIFICATIONS

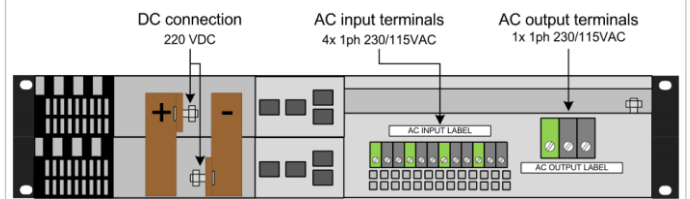
Control unit (master)	SP2 Touch
Control unit (basic)	SP2 Basic Industrial
CAN node	Fleximonitor

Specifications are subject to change without notice

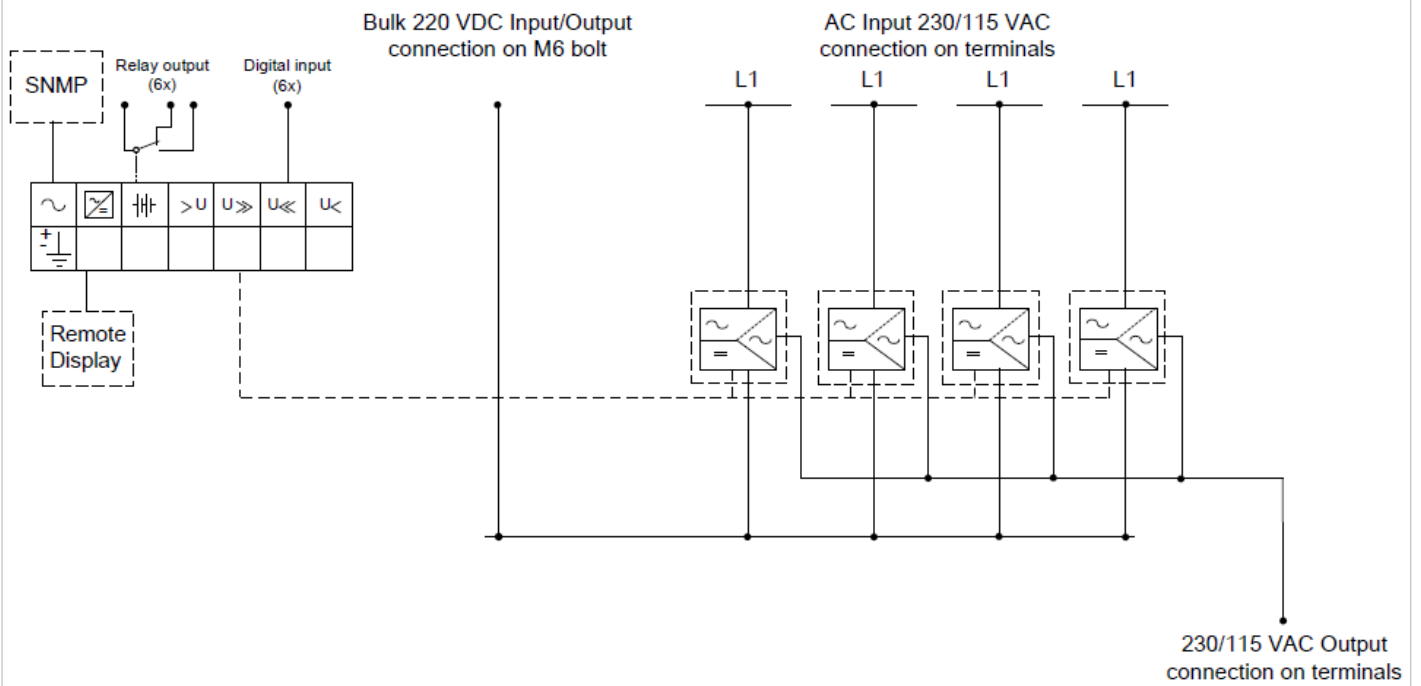
FRONT VIEW – RECTIFIER INTEGRATED 2U



REAR VIEW – RECTIFIER INTEGRATED 2U



SINGLE LINE FOR 220 V_{DC} WITH SMARTPACK2 TOUCH & BASIC INDUSTRIAL



Rectifier Integrated 2U 19"



Doc CIOR0402220.DS3 – rev1

Models	8 kW, 230 V _{AC}	4 kW, 115 V _{AC}
Product family	CIOR0402.1xxx	CIOR0402.1xxx
AC OUTPUT DATA		
Voltage (default) / (adjustable range) ¹⁾	230 V _{AC} / 200-240 V _{AC}	115 V _{AC} / 100-127 V _{AC}
Frequency (inverter mode – default)	50 Hz (adaptive)	60 Hz (adaptive)
Frequency (inverter mode – settable)	50 Hz, 60 Hz or last synced 50 / 60 Hz (adaptive)	
Power maximum (continuous / overload <15s)	4800 W (6000 VA) / 8000 VA	2400 W (3000 VA) / 4000 VA
Current maximum (continuous / overload <15s)	26 A _{RMS} / 34,8 A _{RMS}	
Current (maximum) quick trip (20ms)	128 A (6 x nominal)	
Hold up (Voltage dips) (before switching to battery)	5 ms	5 ms
THD	< 1,5 % at resistive load	
Protection	Fuse in L, Hot pluggable, Varistor	
DC OUTPUT DATA		
Voltage (default) / (adjustable range)	245 V _{DC} / 194-290 V _{DC}	
Power (maximum @ nominal input)	4800 W ²⁾	2400 W ²⁾
Current (maximum @ V _{OUT} ≤ 216 V _{DC})	22,2 A ²⁾	11,1 A ²⁾
Current sharing (10 - 100% load)	±5 % of maximum current from 10 to 100 % load	
Protection	Short circuit proof, Over voltage shutdown, Reversed polarity and Fuse	
INPUT DATA		
AC Mains Input Voltage (range / LV disconnect)	185-275 V _{AC} / 170 V _{AC}	95-140 V _{AC} / 85 V _{AC}
AC Current (maximum - depends on module type)	32,8-46 A _{RMS} ³⁾	36,8-45,2 A _{RMS} ³⁾
Frequency (default: sync range)	47-53 & 57-63 Hz	57-63 & 47-53 Hz
Frequency (settable: sync range)	47-53 Hz, 57-63 Hz or both (adaptive)	
Power Factor / THD	> 0,99 at 50% load or more / < 3,5 %	
DC Voltage nominal / extended range ⁴⁾	204-290 V _{DC} / 180-204 V _{DC}	
DC Current (maximum)	26,7 A / 36 A during overload (15 s)	12,8 A / 18 A during overload (15 s)
Input features	Fuse in L and N, Hot pluggable, Varistor AC input individual screw terminals 4 mm ² for L, N & PE (4x single phase)	
OPTIONS		
Control and Monitoring (master unit)	Smartpack2 Touch	
Control and Monitoring (basic unit)	Smartpack2 Basic Industrial	
Controller CAN node	Fleximonitor (with Relay box)	
AC distribution	AC output individual screw terminals 10 mm ² for L, N & PE (1x single phase)	
DC distribution	DC bulk connection on 2x M6 bolt	
OTHER SPECIFICATION		
Efficiency	> 96 % (mains mode), > 95 % (inverter mode)	> 93 % (mains mode), > 92 % (inverter mode)
Operating temperature	-40 to +55 °C (-40 to +131 °F), humidity 5-95 % RH non-condensing	
Storage temperature	-40 to +85 °C (-40 to +185 °F), humidity 0-99 % RH non-condensing	
Dimensions [W x D x H]	482 x 440 x 89 mm (2U) (19 x 17,3 x 3,5 inch)	
Weight	9,9 kg (21,8 lbs)	
DESIGN STANDARDS		
Electrical safety	EN 60950-1, EN 62040-1 UPS safety	
EMC	ETSI EN 300 386 V2.1.1, FCC CFR 47 Part 15 EN 62040-2 EN 61000-6-1/-2/-3/-4/-5	
Environment	ETSI EN 300 019: 2-1 (Class 1.2), 2-2 (Class 2.3) & 2-3 (Class 3.2) Normal operating conditions as per IEC 62040-3:2011 clause 4.2. Other operating conditions as per IEC 62040-3:2011 clause 4.3, must be advised RoHS 3 (2015/863/EU) and WEEE (2008/98/EC) compliant	

1) Output voltage ranges configured in factory and have individual keying in top chassis

3) If DC port is overloaded pulling the voltage below 194 V the input current may increase above this level.

2) AC load has priority. Maximum available DC output power and current is dependent on instant AC load and AC input voltage; i.e. maximum 3200 W / 29,6 A at full AC power and nominal input for 230 V_{AC}.

4) Reduced performance - no over load support, and for 200-240 V_{AC} output THD will increased and maximum output power de-rates (to 970 W for 230 V_{AC} @ 180 V_{DC})

Specifications are subject to change without notice